

Tom Curnin · Jul 30, 2020 · 3 min read

Planning For A Home Theater

Updated: Sep 6, 2020

Planning your Home Theater System



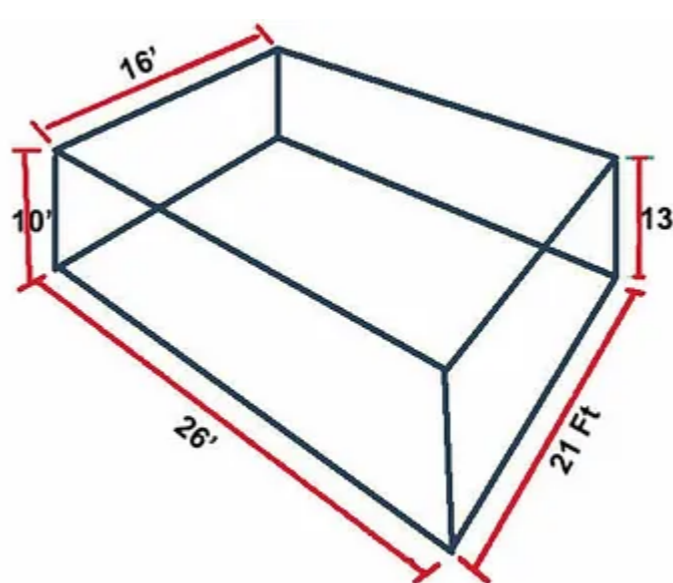
Home Theater Planning

[Start here to learn everything about Home Theater](#)

The addition of a home theater system to your New Jersey home will mean you have the best movie night on the block. It's a great way to bring the family together for a Pixar screening on the weekends, or an ideal space to entertain guests with an action movie. However, since many factors can affect the image and sound quality, creating the perfect home theater requires some forethought. Before you begin the production stage of your home theater, you should establish a solid plan. Read on to learn more about what you should know before the construction phase.

Selecting a Set

The first decision you should make concerns the room. You should base all other decisions you make on the space in which you're working. For instance, if you start by looking at projectors, you may choose a model that works great in a room with more light, then decide that the theater belongs in the windowless basement. The result will be that, while you've spent time and money selecting a good-quality projector, the picture quality will still not be ideal. When you select the room first, you can select the projector, screen, seating, and audio that work within the parameters of the space. To guarantee the best results, bring an integrator into the process as early as possible. Not only will they be able to find the right equipment for your environment, but they will also be able to help you select a room that is best suited for a theater transformation.



Best Size Room For A Home Theater



Home Theater Lighting Control

Lights, Camera, Action

While it may seem strange to spend much time thinking about the lighting in a room you want to be dark, your theater's illumination is of the utmost importance. The placement and control of lighting greatly impacts the entire theater experience and convenience. For instance, it may be wise to create a path of dim lights to mark the ways in and out of the room, like a commercial theater. The benefit of having the theater in your home is that you can keep these lights off during the screening, then turn them on with a remote control from your seat when someone needs to leave or enter the room. If you integrate the lighting with the rest of the controls, the lights can be set to turn down low automatically when the movie begins, and slowly illuminate when it's over. Spending a little time planning your lighting will ensure your entire theater experience is a success from beginning to end.

Know the Score

The cinematic experience depends on the audio experience. If your sound system isn't a priority, you and your guests won't be fully immersed in your movie. The proper acoustics will keep out background noise and keep the car chase noise out of your kitchen and living room. Before you even begin to consider speakers, working with an integrator will help you assess what needs to be done to achieve the right sound properties in your space.



Home Theater Surround Sound New Jersey

For additional resources, please visit our page on [Home Theaters](#) with articles like this on everything you need to know. Additionally, you can check out our photo gallery to explore our previous work.

Bravo AV is proud to be an HTA (Home Technology Association) Certified Installation Firm and professional A/V experts. Tom Curnin, the owner of Bravo AV, is a CEDIA Professional Designer, a certified THX Level 1 home theater professional and a member of the Home Acoustic Alliance trained to Level II.

You can contact Tom directly at (908) 953-0555 or through email at tom@bravoav.com.

- Tags: #HomeTheater #HomeCinema #HomeTheaterNJ #HomeTheaterNewJersey

#HomeTheaterInstallation

Home Theater home theater cables Home Theater Installation Automated Lights

Home Cinema

f t in e b Home Theater

230 views

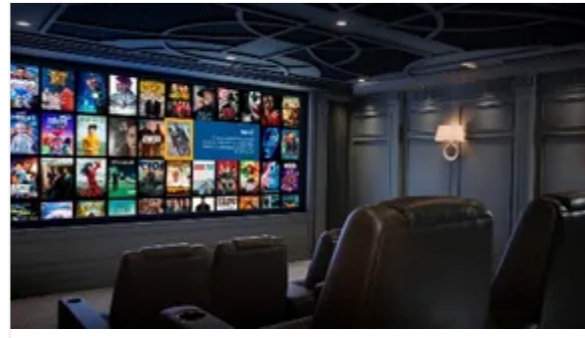
Recent Posts

See All



Home Theater Projectors: Your Questions Answered!

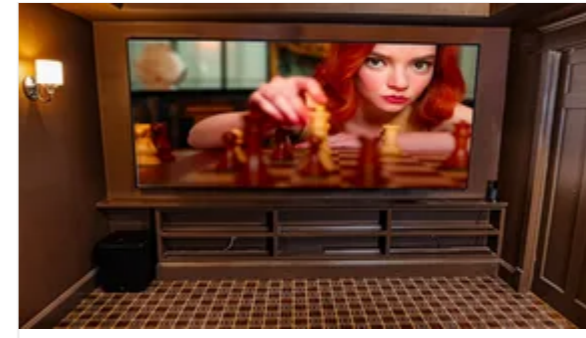
53



Who makes the Best Movie Server?

602

2



Focal Speaker Upgrade In NJ Home Theater.

121

What brings you to Bravo AV of New Jersey, and how can we help?

In order to help you in the best way possible please provide your phone number and town. Your number will not be used for solicitation. Your town is important in order to make sure we can provide the outstanding local service we are recognized for.

Form with fields for Name, Town, Email, Message, and Phone, and a SEND button.



Knowledge Center

- Home Audio
- Home Automation
- Home Theater
- Lutron Lighting
- Motorized Shades
- Media Rooms
- Multi-Room Audio
- Outdoor Shades
- Outdoor Speakers
- Outdoor TV
- Sonos Speakers
- Surround Sound

Our Services

- Home Audio
- Home Automation
- Home Theater
- Theater Seating
- Landscape Lighting
- Lighting Design
- Luxury Private Cinemas
- Media Rooms
- Mirror TV
- Motorized Shades
- Multi-Room Audio
- Outdoor Entertainment Centers
- Outdoor Lighting
- Outdoor Shades
- Outdoor Speakers
- Outdoor TV
- Projectors
- Recliner 2
- Surround Sound
- TV Installation
- WiFi
- Window Treatments

Partners

- Focal
- Kaleidescape
- Lutron Lighting
- Lutron Shades
- Meridian
- Nest
- Samsung
- Savant
- Sonos
- Sony
- TKG

Information

- About
- Blog
- Contact
- Design | Build Process
- Featured Projects
- Knowledge Center
- Partners
- Privacy Policy
- Showroom
- Team
- Home Theater Guide

Contact

80 Morristown Rd. Bernardsville, NJ 07924
Click To Email Us
Tel. (908) 953-0555



Hours
Mon. - Fri. 9am - 6pm
or by appointment

